

seepex®



Progressive Cavity Pumps

Group N



Design of group N

seepex pumps of group **N** are used in almost all industries. They are designed to handle liquids of all viscosities and even products with high solids contents.

The development of this group was based on our decades of experience. Numerous advantages allow for the particularly economical use of **seepex** progressive cavity pumps.

Range BN

Dry Running Protection TSE, Thermoelectronic. Prevents the stator from being damaged by dry running *information ADV, page 13.*

Pressure Branch with connection for pressure/vacuum gauge. Flange connections in DIN or ANSI.

Stator with 6L geometry *information ADV, page 4f.* The seal on both ends is moulded as an integral part of the elastomeric stator; corrosion of the stator tube is never a problem because the pumped liquid never comes into contact with the metal tube or the bonding adhesive *information ADV, page 11.* Available with optional adjustable stator retensioning device *information ADV, page 12.*

Rotor with 6L geometry, wear resistant and corrosion-proof materials, with additional surface treatment *information ADV, page 4f.*

Tie Bolts/Screws corrosion proof, available in stainless steel design as an option.

Universal Joint Sleeve Protection made of Stainless Steel protects the universal joint sleeve against mechanical damage from large solids, optional *information ADV, page 9.*

Inspection Ports on both sides, optional.

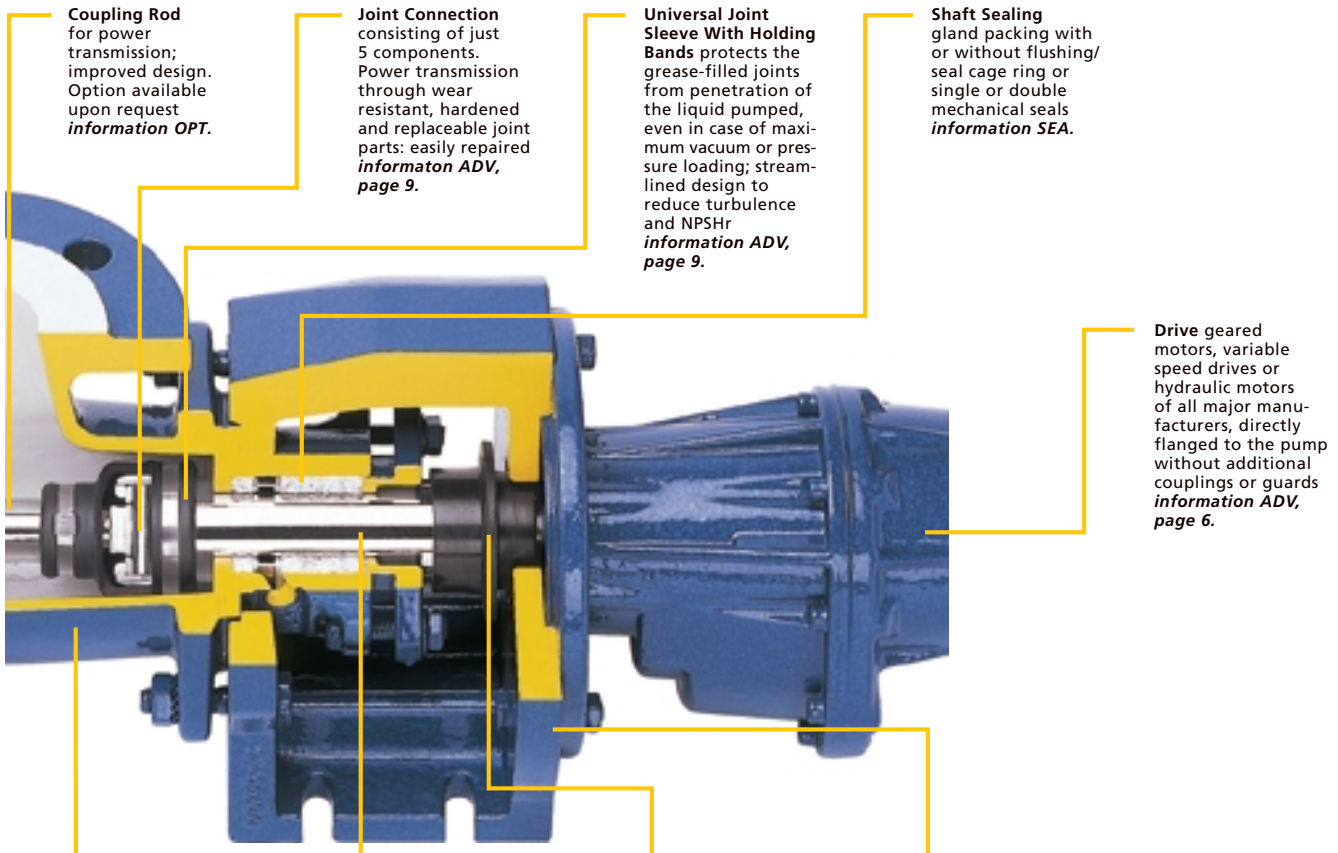
Range BN

The **seepex 6L** geometry operates with reduced thrust load compared to conventional pumps which must handle thrust forces that are 50 % higher, and the plug-in shaft connection enabled the introduction of the range **BN** with the drive being directly flanged to the pump. A wide range of assembly combinations have been further developed with drive manufacturers.

The design has been further improved regarding thrust loads, shaft diameters and flange connection sizes. **seepex** pumps of any size and pressure stage can now be supplied in block design eliminating the need for separate pump bearings. The compact, inexpensive and service-friendly design is state-of-the-art.

Range NS

The plug-in shaft connection was also adopted for the range **NS** with drive casing and free drive shaft. It also allows for easy replacement of the rotating wear parts and the shaft seals without removing the bearings.



Coupling Rod for power transmission; improved design. Option available upon request *information OPT.*

Joint Connection consisting of just 5 components. Power transmission through wear resistant, hardened and replaceable joint parts: easily repaired *information ADV, page 9.*

Universal Joint Sleeve With Holding Bands protects the grease-filled joints from penetration of the liquid pumped, even in case of maximum vacuum or pressure loading; streamlined design to reduce turbulence and NPSHr *information ADV, page 9.*

Shaft Sealing gland packing with or without flushing/ seal cage ring or single or double mechanical seals *information SEA.*

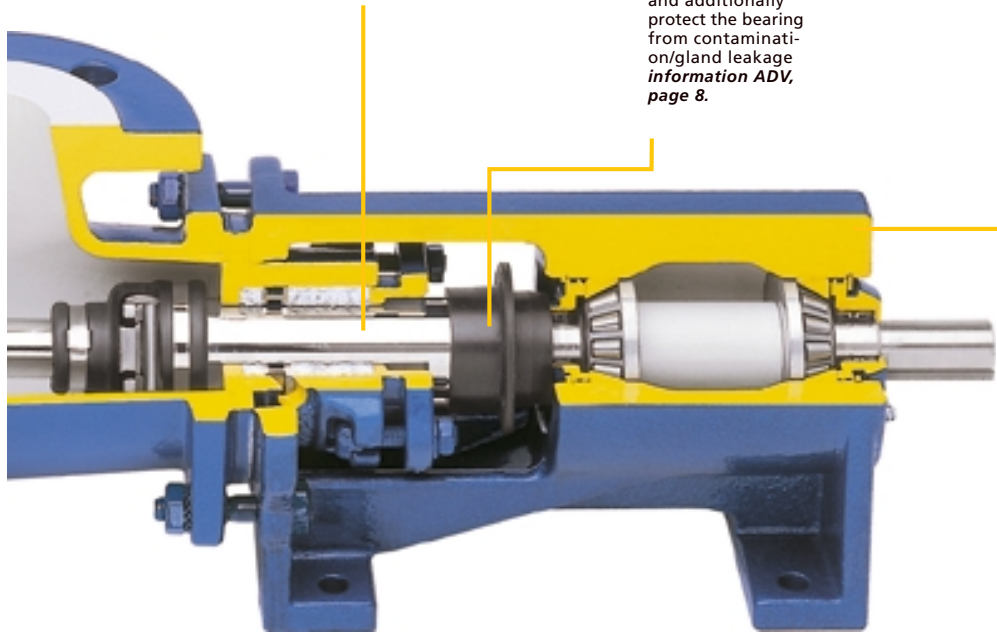
Drive geared motors, variable speed drives or hydraulic motors of all major manufacturers, directly flanged to the pump without additional couplings or guards *information ADV, page 6.*

Suction Casing with large cross section and smooth flow conditions, with drain plug and connections for pressure/vacuum gauge. Flange connections in DIN or ANSI can be rotated in 90 ° increments.

Plug-in Shaft connects the drive shaft to the joint; with gland packing the plug-in shaft is used as a shaft protection sleeve; upon request, it is available with wear resistant coating *information ADV, page 8.*

Plug-In-Shaft-Connection for quick disassembly or repair of pump and drive, for quick replacement of the rotating parts and shaft seals; with plug-in shaft pin and splash ring seal to secure the plug-in shaft connection and additionally protect the bearing from contamination/gland leakage *information ADV, page 8.*

Lantern for connection of pump and drive and to secure the assembly to the baseplate or directly to the foundation *information DRI.*



Range NS

Drive Casing for range NS, houses, drive shaft and bearings which can be relubricated, also available with double bearing seals to prevent ingress of dust or moisture *information OPT.*



Your **seepex** agent